

Balanced Spiral Woven Belt

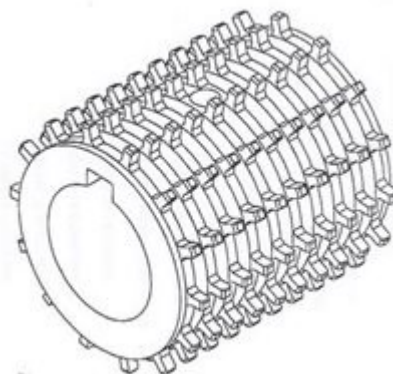
Positive Drive Belt Specifications

| Mesh Type | Specification Coding | Nominal Belt Thickness (mm) | Lateral Pitch of Coil wire(mm) | Coil Wire Dia. (mm) | Crimped Cross Wire Pitch down length (mm) | Crimped Cross Wire Dia (mm) |
|-----------|----------------------|-----------------------------|--------------------------------|---------------------|---|-----------------------------|
| BSW-PD | 18-16-16-16 | 7.7 | 16.94 | 1.63 | 19.05 | 1.63 |
| BSW-PD | 18-14-16-14 | 8.9 | 16.94 | 2.03 | 19.05 | 2.03 |
| BSW-PD | 30-17-24-17 | 7.3 | 10.16 | 1.42 | 12.7 | 1.42 |
| BSW-PD | 30-16-24-16 | 6.7 | 10.16 | 1.63 | 12.7 | 1.63 |
| BSW-PD | 42-18-36-18 | 6.0 | 7.26 | 1.22 | 8.47 | 1.22 |
| BSW-PD | 42-17-36-17 | 6.0 | 7.26 | 1.42 | 8.47 | 1.42 |
| BSW-PD | 42-16-36-16 | 6.4 | 7.26 | 1.63 | 8.47 | 1.63 |
| BSW-PD | 48-17-48-17 | 6.1 | 6.35 | 1.42 | 6.35 | 1.42 |
| BSW-PD | 48-16-48-16 | 6.4 | 6.35 | 1.63 | 6.35 | 1.63 |
| BSW-PD | 60-20-48-18 | 4.0 | 5.08 | 0.91 | 6.35 | 1.22 |
| BSW-PD | 60-18-48-18 | 5.2 | 5.08 | 1.22 | 6.35 | 1.22 |
| BSW-PD | 60-18-60-18 | 5.6 | 5.08 | 1.22 | 5.08 | 1.22 |

Specifications are also available using a flattened coil wire. Please consult with our Technical Sales Engineers for the range and availability.

All specifications are supplied with welded edge only.

A range of sprockets in UHMW Polyethylene, POM or Stainless Steel is available to suit each mesh specification.



Typical Standard Bi-Directional Positive Drive Sprocket
(Drives at every 2nd longitudinal crimp wire pitch)

Note: Non-standard moulded versions available for uni-directional drive available to special order. If sprockets are required for exact replacement then forward picture of existing sprockets to confirm.



Typical Drive Shaft Set-up with Balanced Spiral Flat Wire Belting and Bi-Directional Sprockets.